

INSTALLATION INSTRUCTIONS FOR N7237-L For LED Island Lamp

READ AND SAVE THESE INSTRUCTIONS

WARNING! SHUT POWER OFF AT FUSE OR CIRCUIT BREAKER
AVERTISSEMENT! COUPER LE COURANT AU NIVEAU DES FUSIBLES OU DO DISJONCTEU

ASSEMBLING THE FIXTURE (Fig.1)

- 1 Shut off power at the fuse box or circuit breaker box. If necessary, remove the existing fixture and its mounting hardware.
- 2 Carefully remove the new fixture from the carton and check that all parts are included as shown in the illustration.
- 3 Position the mounting plate (C) (Part#A-021-199111) onto the ceiling, and mark the location of the four anchoring setscrews (D). Pre-drill the holes (Size:8mmDia.*75mmL) for the anchoring setscrews (D).
- 4 Attach mounting plate (C) (Part#A-021-199111) to the junction box with junction box screws (B) (size:8-32*1/2"L) provided. The side of the mounting plate marked "GND" must face out.
- 5 Thread anchoring setscrews (D) through the mounting plate (C) (Part#A-021-199111) into the ceiling pre-drilled holes until snug.
- 6 This fixture includes six 12", and two 6" rods. Determine the desired hanging height and thread rods (I1,I2) to nipple (J). Feed the fixture wire and safety cable carefully through each rod. Please remove the nipple if installing with two 6" rod only.
- 7 Install a 1/4" IPS pipe (Y1) (not provided) with one end securely mounted to a beam of a structural member. The other end should protrude through the center of the outlet box as shown.
- 8 Secure the hex nut (Y2) onto the pipe (Y1) and then secure the hickey (Y3) tightly.
- 9 Open quick link (G) and connect it to loop (H) and ceiling loop (F). Then thread the quick link closed.
- 10 Using provided allen wrench to adjust installation direction of loop (H) consistent with ceiling loop (F) then secure the allen screw.
- 11 Feed the fixtures wires and safety cable through the ceiling loop (F) and allow them to exit through the side of hickey (Y3). Run safety cable through the hickey (Y3) one circle and secure safety cable with set screw assembly and set screw.

CONNECTING THE WIRES (Fig.2)

- 12 Connect the electrical wires as shown in Fig.2, making sure that all wire connectors are secured. If your outlet has a ground wire (green or bare copper), connect the fixture's ground wire to it. After the wires are connected, tuck them neatly into the outlet box.

COMPLETING THE INSTALLATION

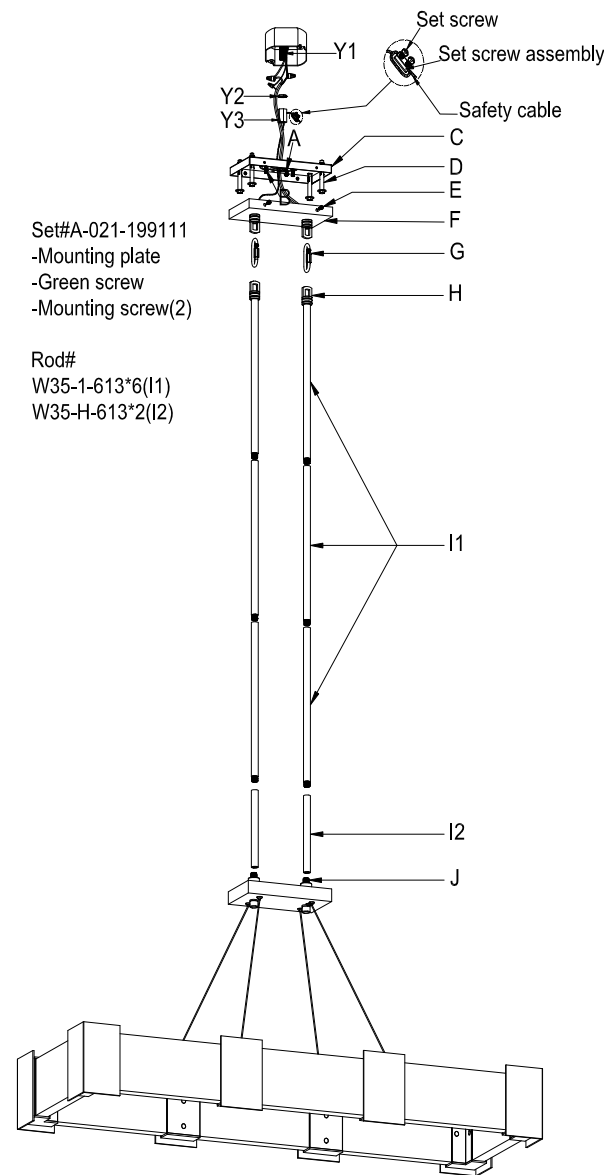
- 13 Align canopy (F) to the mounting plate and secure with screws (E).

Your installation is now complete. Return power to the junction box and test the fixture.

CAUTION /ATTENTION: When handling the fixture, do not apply pressure to the LEDs. Hold the fixture by the base only.

WARNING: This luminaire must be mounted or supported independently of an outlet box.

Fig.1



Replacing LED module (Fig. 3, Fig 4)

The LED module can be replaced by a qualified electrician without cutting of wire and without damage to any decorative element to which the fixture is attached. See installation steps for more details (Fig.3)

Warning: Turn off power at the circuit breaker before replacing LED module.

- a. Loosen screws (Y), stud (X) and remove frame (W).
 - b. Loosen screws (O7), rubber washers (N7), and remove diffuser (V/U).
 - c. To disconnect LED module (T3): Loosen screws (O5), rubber washers (N5). Disconnect the LED module by unplug the wire connector (S6/S7) and carefully remove LED module.
 - d. To disconnect LED module (T4): Loosen screws (O6), rubber washers (N6). Disconnect the LED module by unplug the wire connector (S4/S5) and carefully remove LED module.
 - e. Reverse steps a-d for installing the new LED module (Fig. 3).
 - f. Loosen screws (K1/K2) and remove part (L1,L2), crystal (M).
 - g. Remove plug (Z), screws (P), and remove part (Q).
 - h. Loosen screws (O2), rubber washer (N2), screws (R) and remove part (L3).
 - i. To disconnect LED module (T1): Loosen screws (O1), rubber washers (N1). Disconnect the LED module by unplug the wire connector (S1/S2) and carefully remove LED module.
 - j. Loosen screws (O3), rubber washer (N3), and remove part (L4).
 - k. To disconnect LED module (T2): Loosen screws (O4), rubber washers (N4). Disconnect the LED module by unplug the wire connector (S2/S3) and carefully remove LED module.
 - l. Reverse steps h-n for installing the new LED module (Fig. 4).
- Note: The LED module should be provided by a specified supplier.

IMPORTANT: Fixture should be installed by a qualified electrician to ensure proper wiring and installation.

Dimmable with ELV and/or LED compatible wall dimmer switches.

Fig.2

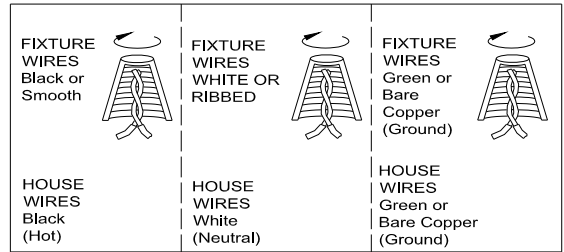


Fig.3

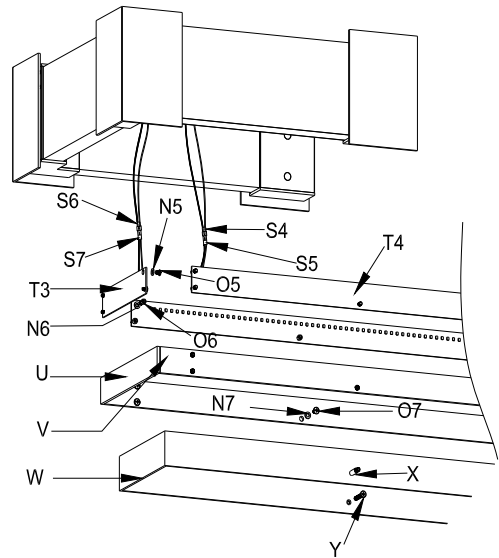


Fig.4

