

INSTALLATION INSTRUCTIONS FOR N1731-L

For LED Wall Mount Fixture

READ AND SAVE THESE INSTRUCTIONS

WARNING! SHUT POWER OFF AT FUSE OR CIRCUIT BREAKER.

AVERTISSEMENT! COUPER LE COURANT AU NIVEAU DES FUSIBLES OU DU DISJONCTEUR

ASSEMBLING THE FIXTURE (Fig. 1)

1. Shut off power at the fuse box or circuit breaker. If necessary, remove the old fixture including the mounting hardware.
2. Carefully remove the fixture from the carton and check that all parts are included as show in Figure 1.
3. Attach mounting plate (A) to the junction box with junction box screws (B) (size:8-32*1/2"L) provided. The side of the mounting plate marked "GND" must face out.

CONNECTION THE WIRES (Fig. 2)

4. At this point, connect the electrical wires as shown in Fig.2, making sure that all wire connectors are secured. If your outlet has a ground wire (green or bare copper), connect the fixture's ground wire to it. Otherwise, connect the fixture's ground wire directly to the mounting plate using the green screw (C) provided. Tuck the wire connections neatly into the junction box.

FINISHING THE INSTALLATION (Fig. 1)

5. Align fixture (E) onto mounting plate (A) and secure with screws (D1).

Your installation is now complete. Return power to the junction box and test the fixture.

CAUTION /ATTENTION: When handling the fixture, do not apply pressure to the LEDs. Hold the fixture by the base or fixture body (E) only.

Replacing LED module (Fig.3)

The LED module can be replaced by a qualified electrician without cutting the wires and without damaging the decorative element to which the fixture is attached. See installation steps for more details (Fig 3.)

Warning: Turn off power at the fuse box or circuit breaker before replacing the LED module.

- a. To remove the fixture from the wall: loosen screws (D1), and remove the wire connectors. Then place the fixture on a clear flat surface. (Fig. 1)
 - b. Loosen screws (D2) and remove crystal (F).
 - c. Loosen hex nut (I), key washer (K) and remove part (R).
 - d. Loosen screws (N) and remove part (S).
 - e. Loosen screws (M/O), remove part (L), slide out glass (G).
 - f. Loosen screws (Q) and rubber washer (P). Carefully remove the LED module (H).
 - g. Reverse steps a-f for installing the new LED module.
- Note: The LED module should be provided by a specified supplier.

IMPORTANT: Fixture should be installed by a qualified electrician to ensure proper wiring and installation.

Dimmable with ELV and/or LED compatible wall dimmer switches.

Fig.1

Set#A-021-120120-2
 -Mounting plate
 -Green screw
 -Mounting screw(2)

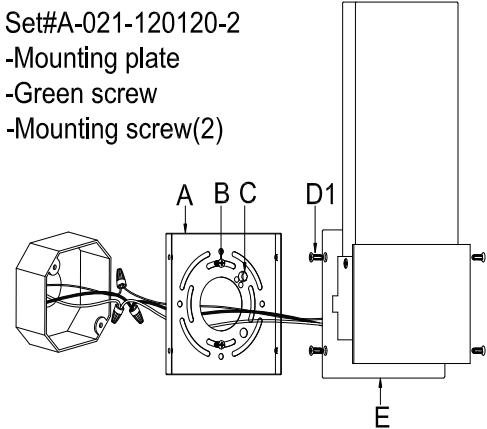


Fig.2

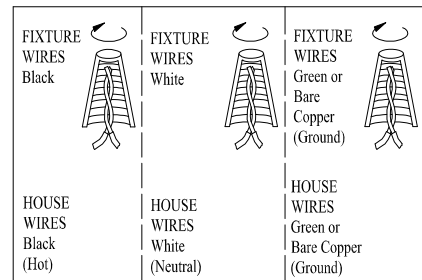


Fig.3

